

ARTIKAL

A611238

Item

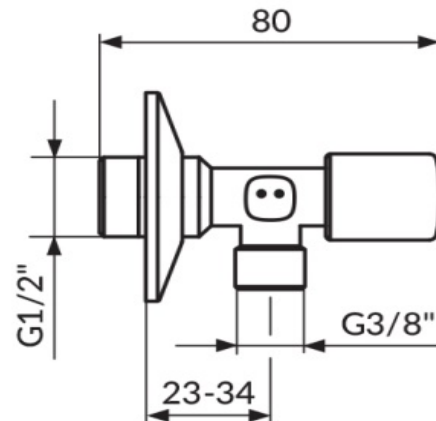
Ugaoni ventil

Angle valve

SLIKA PROIZVODA Product picture



TEHNIČKA SKICA Technical draft



TEHNIČKI PODACI

Masivna konstrukcija
Kompresioni gornji deo
ROSAN hromirani rukohvat
Klizna rozeta od Inoxa AISI 304

TECHNICAL DETAILS

Massive construction
Compression cartridge
ROSAN chromed handle
AISI 304 Stanineless steel rosette

RADNI USLOVI

Maksimalni radni pritisak: 5 bar
Preporučeni radni pritisak: 3 bar
Minimalni radni pritisak: 1 bar
Maksimalna dozvoljena temperatura: 80°C
Preporučena temperatura vode: 60°C

WORKING CONDITIONS

Max. working pressure : 5 bar
Suggested working pressure : 3 bar
Min. working pressure : 1 bar
Max. working temperature : 80°C
Suggested max. water temperature : 60°C

www.rosan.rs

Srbija, 24420 Kanjiža, Dušana Popovića 10.

tel.+381 24-876-744 fax +381 24-876-756, info@rosan.rs

ARMOR