

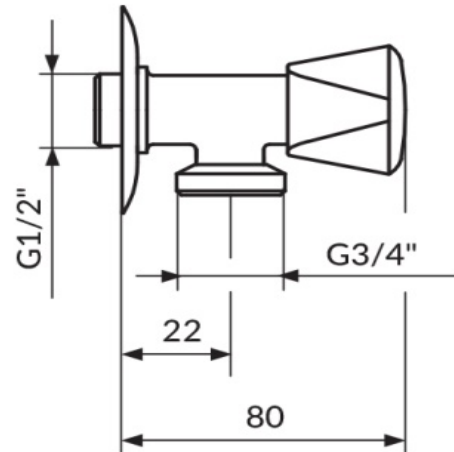
ARTIKAL **A590034**
Item

Ventil za veš mašinu
Valve for washing machine

SLIKA PROIZVODA
Product picture



TEHNIČKA SKICA
Technical draft



TEHNIČKI PODACI

Montaža ispred baterije/ventila
Hromirani rukohvat (ABS)
Kompresioni gornji deo sa masnom komorom 3/8\"

Inox rozeta

Povezivanje za kućne aparate

Klasa bučnosti I

TECHNICAL DETAILS

Wall mounted tap
Chromed handle (ABS)
Compression cartridge with grease chamber 3/8\"

Stainless steel rosette

Connection for household appliances

Noise level I

RADNI USLOVI

Maksimalni radni pritisak: 5 bar
Preporučeni radni pritisak: 3 bar
Minimalni radni pritisak: 1 bar
Maksimalna dozvoljena temperatura: 80°C
Preporučena temperatura vode: 60°C

WORKING CONDITIONS

Max. working pressure : 5 bar
Suggested working pressure : 3 bar
Min. working pressure : 1 bar
Max. working temperature : 80°C
Suggested max. water temperature : 60°C

www.rosan.rs

Srbija, 24420 Kanjiža, Dušana Popovića 10.

tel.+381 24-876-744 fax +381 24-876-756, info@rosan.rs

ARMOR