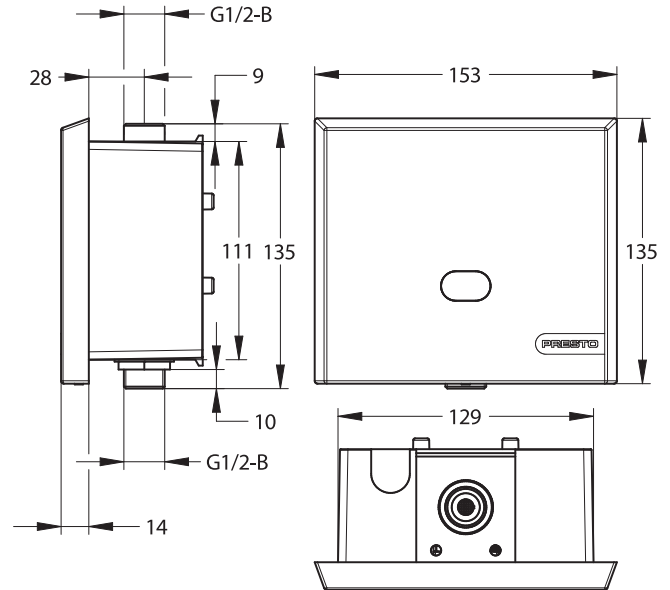


Range: SENSOR URINAL FLUSH VALVE

Ref: 55442 - Concealed PRESTO SENSAO 8300N, battery power



> Working pressure :

- 1 to 5 bar

> Flow :

- Pre-setting at 0,15l/s with integrated flow regulator (for common urinal bowls)
- 0,30l/s at 3 bar by removing the flow regulator (for siphonic urinal bowls).

> Flow duration :

- 6 seconds
- Factory pre-setting flush program can be adjusted via PRESTO programming tool (pre-rinse, flow duration, periodical flush et its duration)

> Hydraulic supply :

- Built-in M G 1/2" (15x21) in-line inlet/outlet water

> Power supply :

- With integrated 6V-CRP2 lithium battery type in water-proof casing

> Material and colour finish :

- Anti-vandal brushed stainless steel 304l front plate

> Security :

- Solenoid valve will be automatically closed in case of low battery or any detector damage.
- Automatic rinse every 24H after the last usage

> Delivered with :

- 1 concealed box
- Washers
- Wall dowels and mounting screws
- 1 integrated stop valve
- Instruction manual

> Standards & approvals :

- Compliant with CE directive EN61000-6-1, EN61000-6-3, DBT 73/23/CEE, 2002/95/CE

