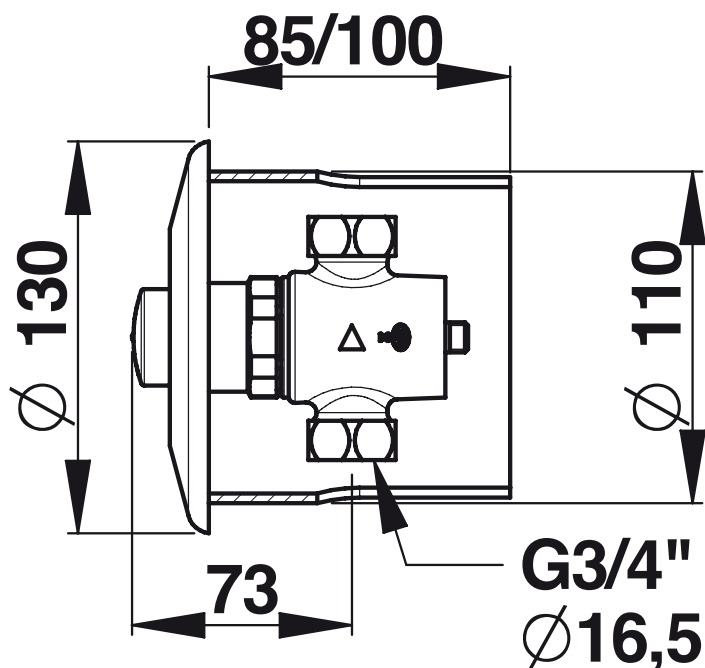


Range : Timed flow single tap for shower

Ref : 38222 - PRESTO P 50 B Concealed single tap



> Working pressure :

- 1 to 5,5 bar (15 to 80 psi)

> Flow :

- 8 l/min from 1 to 6 bar with integrated flow limiter
- Flow rate control through a ring nut
- Anti-water-hammering design

> Flow time :

- 30 seconds (± 5 sec.)

> Hydraulic supply :

- M G 3/4" (20x27) - Cold or premixed water

> Thermal resistance :

- Resistant to a temperature of 75°C for 30-minute-thermal-shocks

> Security :

- Non-turnable, push button
- Non-removable, wear-proof red marker

> Delivered with :

- 1 Vandal-proof rose in stainless steel
- 1 Fitting template
- 1 Flat gasket
- 1 Filter gasket
- 2 Union nuts 3/4" (20x27) for 14x16 mm tube
- Instruction manual

> Standards & approvals :

- Acoustic class II
- Brass body in accordance with EN 1982, EN 12164, EN 12165
- Molded chrome-plated body in accordance with EN 12540
- 200-hour neutral salt spray resistant (NSS) in accordance with ISO 9227
- LEED 2009 building project's compliant

