

Talis E

Single lever basin mixer for concealed installation wall-mounted with spout 22.5 cm

Surface: **Polished Gold Optic** Article Number: **71734990**



Description

product features

- consists of: waste set, single lever basin mixer for concealed installation wall-mounted
- projection: 225 mm
- spray type: normal spray
- maximum flow rate at 3 bar: 5 l/min
- ceramic cartridge
- temperature limitation adjustable
- suitable for continuous flow water heaters
- non-closing waste set
- material waste set: metal
- connection type: basic set
- connection dimension: DN15
- handle can be positioned on the right or left, depending on the basic set installation

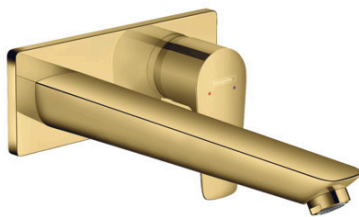
Technology



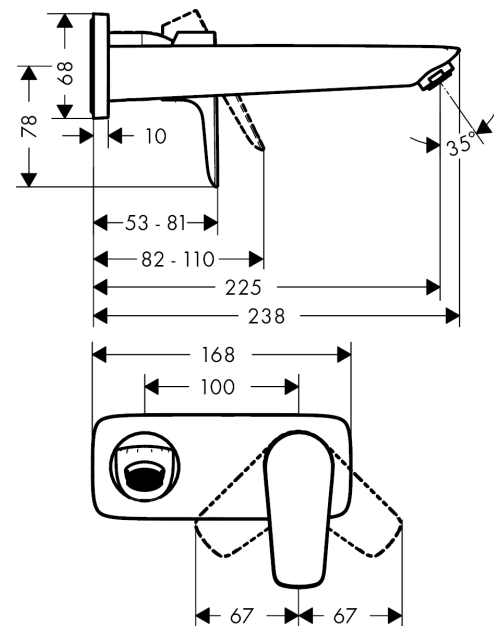
Design awards



Product image



Scale drawing



Talis E

Single basin mixer for concealed installation wall-mounted with spout 22.5 cm

Surface: **Polished Gold Optic** Article Number: **71734990**



Flowchart



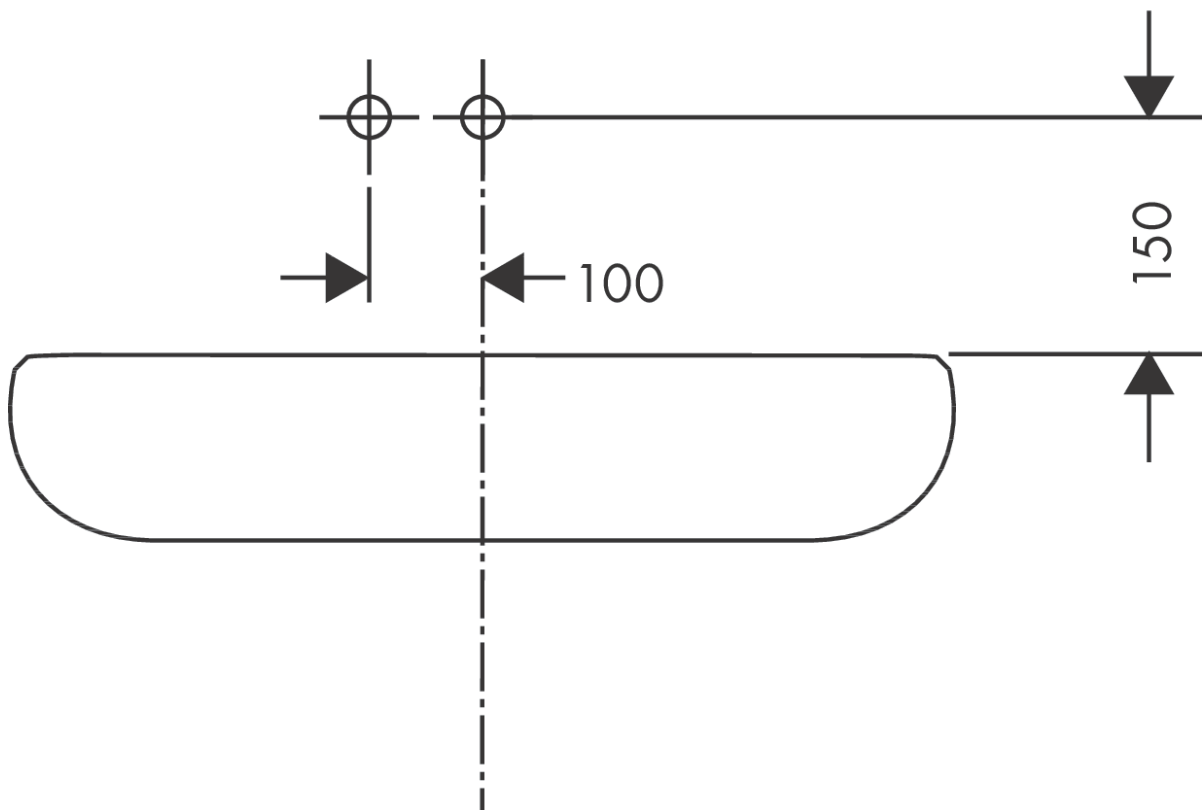
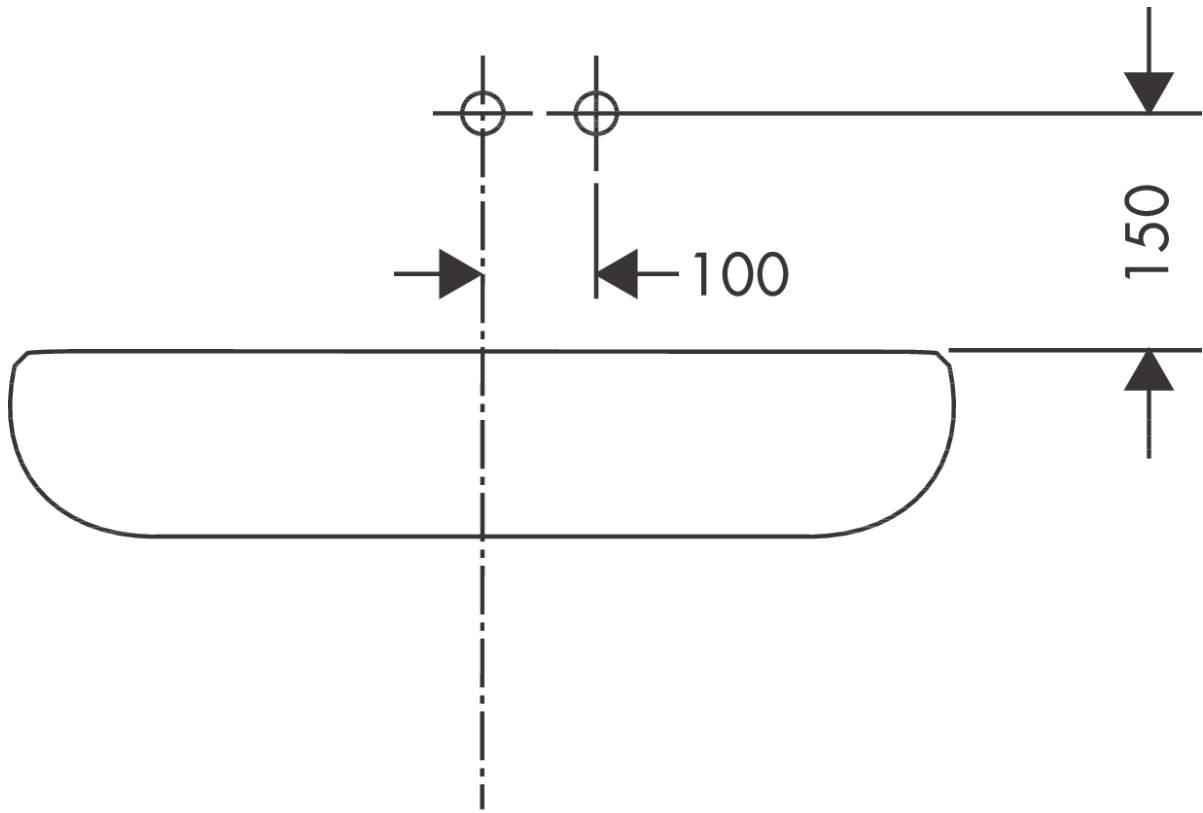
Talis E

Single lever basin mixer for concealed installation wall-mounted with spout 22.5 cm

Surface: **Polished Gold Optic** Article Number: **71734990**



Installation examples



Talis E

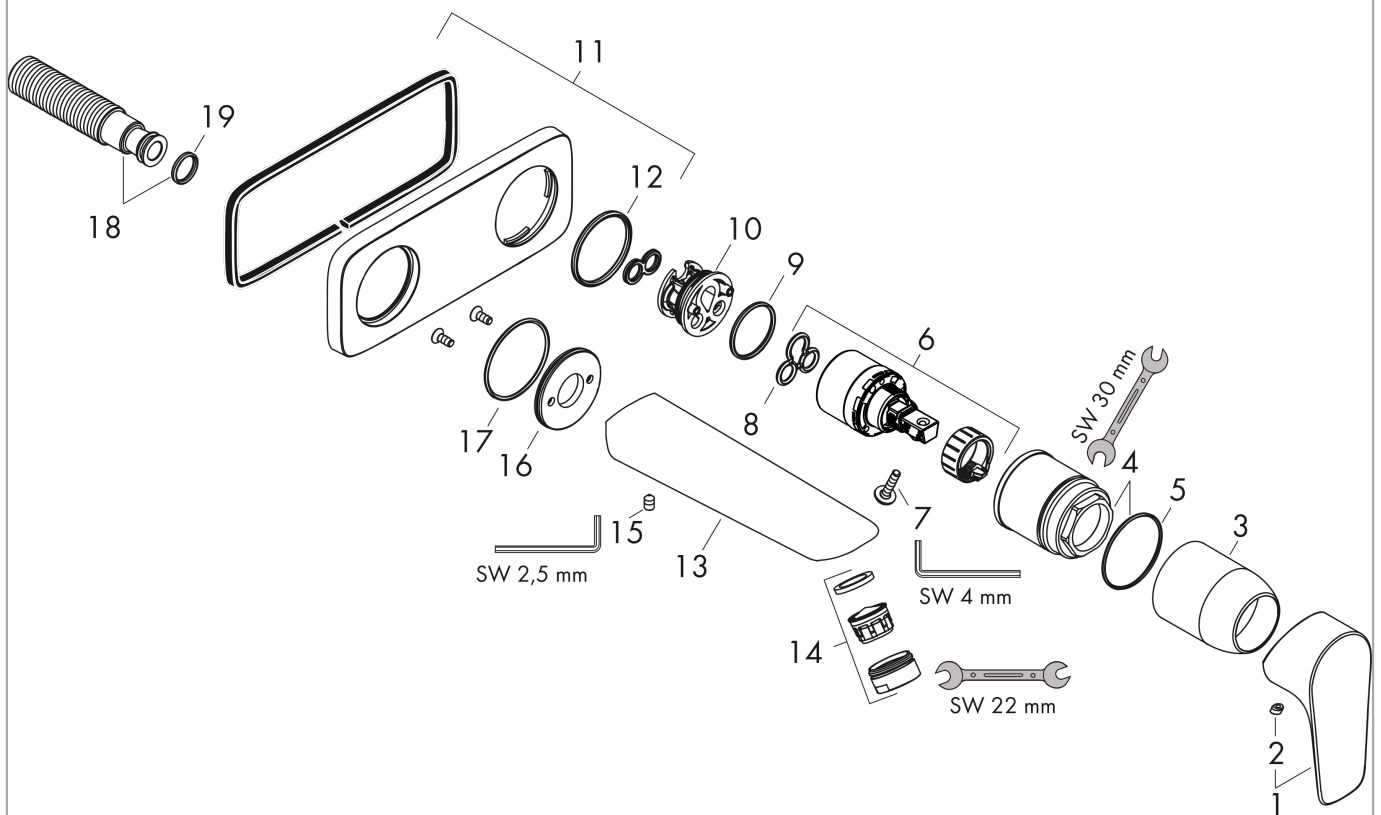
Single lever basin mixer for concealed installation wall-mounted with spout 22.5 cm

Surface: **Polished Gold Optic** Article Number: **71734990**



Exploded Drawing

Year of production: >07/19



Talis E

Single lever basin mixer for concealed installation wall-mounted with spout 22.5 cm

Surface: **Polished Gold Optic** Article Number: **71734990**



Spare part list

Year of production: >07/19

Pos.	Description	Article Number	Price	PU
1	handle	92666990	€ 43,44	1
2	screw cover	96338000	€ 3,33	1
3	sleeve	98790990	€ 43,44	1
4	nut	95622000	€ 36,89	1
5	O-ring 39x1,5	98400000	€ 3,33	1
6	cartridge, assy	92730000	€ 58,67	1
7	locking screw for handle	95140000	€ 5,36	1
8	seal	95008000	€ 8,69	1
9	adapter for cartridge	95779000	€ 14,28	1
10	O-ring 26x2	98147000	€ 3,33	1
11	escutcheon	92239990	€ 88,06	1
12	O-ring 43x3	98418000	€ 3,33	1
13	spout 225 mm	92714990	€ 192,42	1
14	aerator M24x1 (5 l/min)	13185990	€ 45,82	1
15	hollow set screw M5x8	92851000	€ 3,33	1
16	escutcheon	95642990	€ 21,42	1
17	O-Ring 30x2	98186000	€ 3,33	1
18	connecting thread G½	95626000	€ 45,82	1
19	O-ring 13x2	98128000	€ 3,33	1
a	waste	50001990	€ 74,14	1
b	extension set 25 mm for 13622180	31971000	-	1