

**Vernis Shape**  
**Single lever shower mixer for concealed installation**  
 Finish: **Chrome** Article Number: **71658000**



**Description**

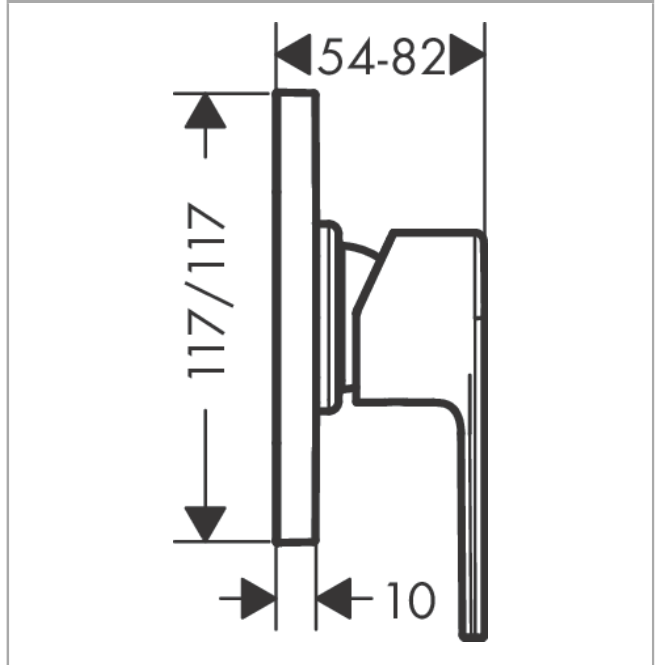
**product features**

- 1 function
- maximum flow rate at 3 bar: 28,7 l/min
- ceramic cartridge
- temperature limitation adjustable
- min. operating pressure: 1 bar
- max. operating pressure: 10 bar
- connection type: basic set

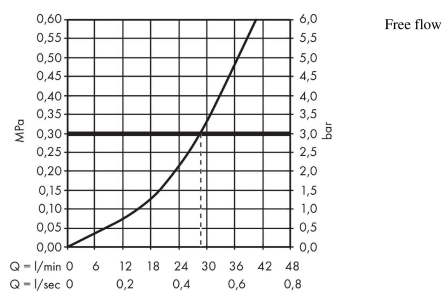
**Product image**



**Scale drawing**



**Flowchart**

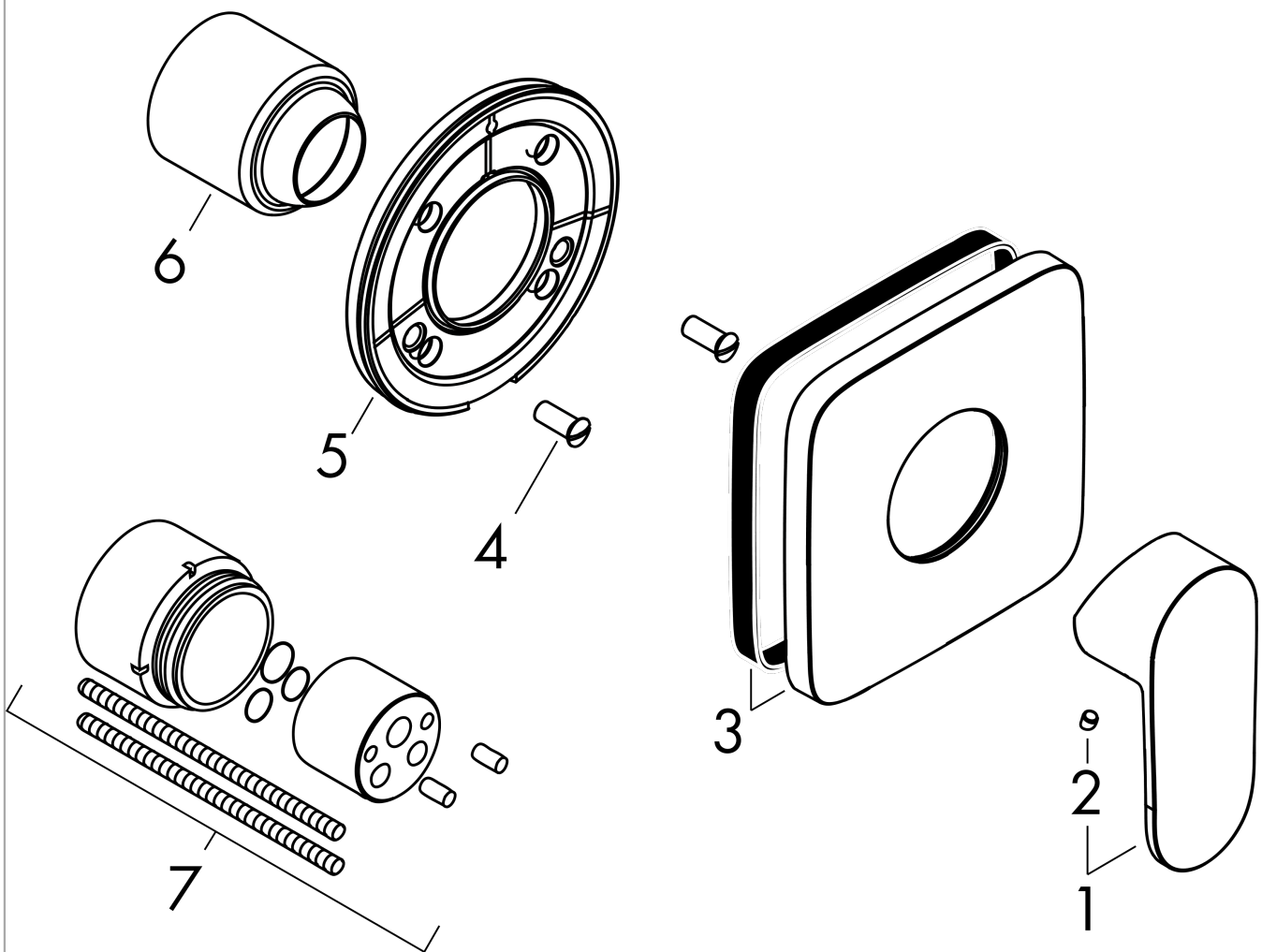


**Vernis Shape**  
**Single lever shower mixer for concealed installation**  
 Finish: **Chrome** Article Number: **71658000**



**Exploded Drawing**

Year of production: >04/21



**Vernis Shape**  
**Single lever shower mixer for concealed installation**  
 Finish: **Chrome** Article Number: **71658000**



## Spare part list

Year of production: >04/21

| Pos. | Description                      | Article Number | PC | PU |
|------|----------------------------------|----------------|----|----|
| 1    | handle                           | 93719000       | 9  | 1  |
| 2    | screw cover                      | 96338000       | 1  | 1  |
| 3    | escutcheon                       | 93469000       | 11 | 1  |
| 4    | hollow screw                     | 96065000       | 2  | 1  |
| 5    | holder for escutcheon            | 93467000       | 4  | 1  |
| 6    | flange                           | 96348000       | 4  | 1  |
| 7    | extension set 28 mm shower mixer | 32698000       | 15 | 1  |