

## AXOR ShowerSolutions

### Overhead shower 460/300 3jet with shower arm and softcube escutcheon

Surfaces: **Chrome** Article Number: **35276000**



#### Description

##### product features

- consists of: overhead shower, shower arm
- spray type: Rain, RainStream, Mono
- shower head size: 460 x 300 mm
- shower arm length: 460 mm
- maximum flow rate at 3 bar: 18 l/min
- flow rate Rain spray (at 3 bar): 18 l/min
- flow rate RainStream spray (at 3 bar): 15 l/min
- flow rate Mono spray (at 3 bar): 18 l/min
- material spray disc: metal
- spray disc removable for cleaning
- overhead shower removable for cleaning
- installation: wall-mounted - for installation on iBox
- connection dimension: DN15

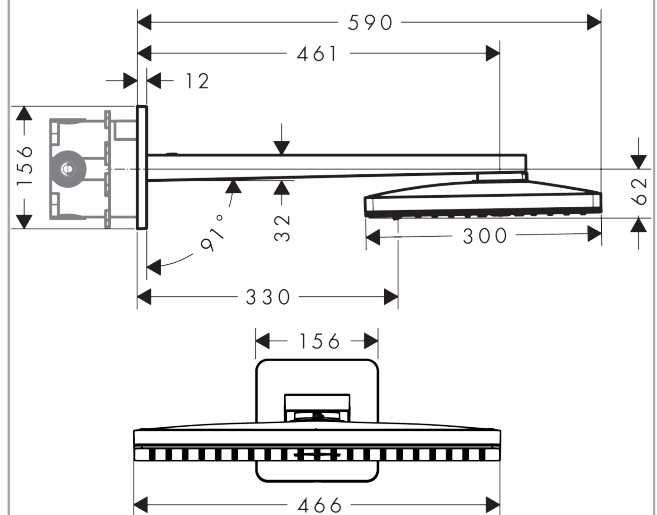
#### Technology



#### Product image



#### Scale drawing



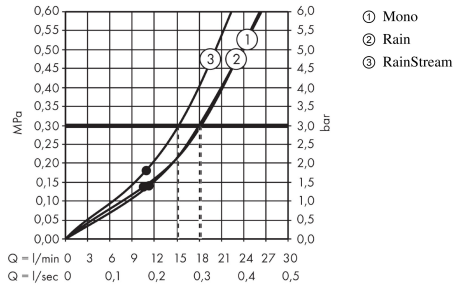
## AXOR ShowerSolutions

Overhead shower 460/300 3jet with shower arm and softcube escutcheon

Surfaces: **Chrome** Article Number: **35276000**



### Flowchart



The consumption was measured in combination with the appropriate fittings (thermostat/mixer/in-wall valve) to reflect actual application in practice.