

**Metropol**  
**Single lever bath mixer for concealed installation with lever handle**  
 Surfaces: **Chrome** Article Number: **32545000**



### Description

#### product features

- connection type: basic set
- flow rate upper outlet: 21 l/min
- flow rate lower outlet: 29 l/min
- min. operating pressure: 1 bar
- max. operating pressure: 10 bar
- ceramic cartridge
- temperature limitation adjustable
- diverter with automatic resetting
- with silencer

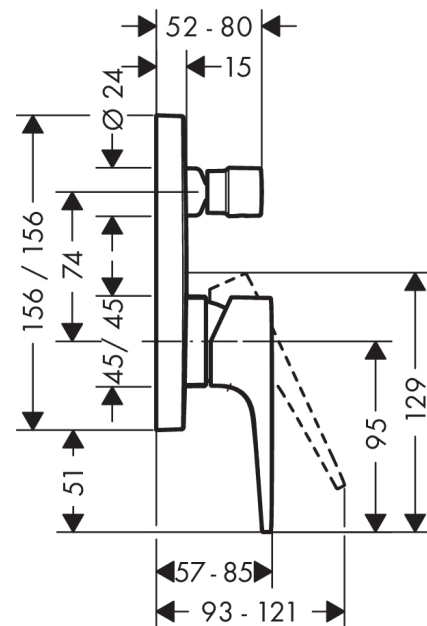
### Design awards



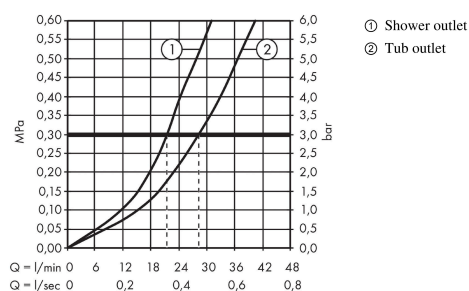
### Product image



### Scale drawing



### Flowchart

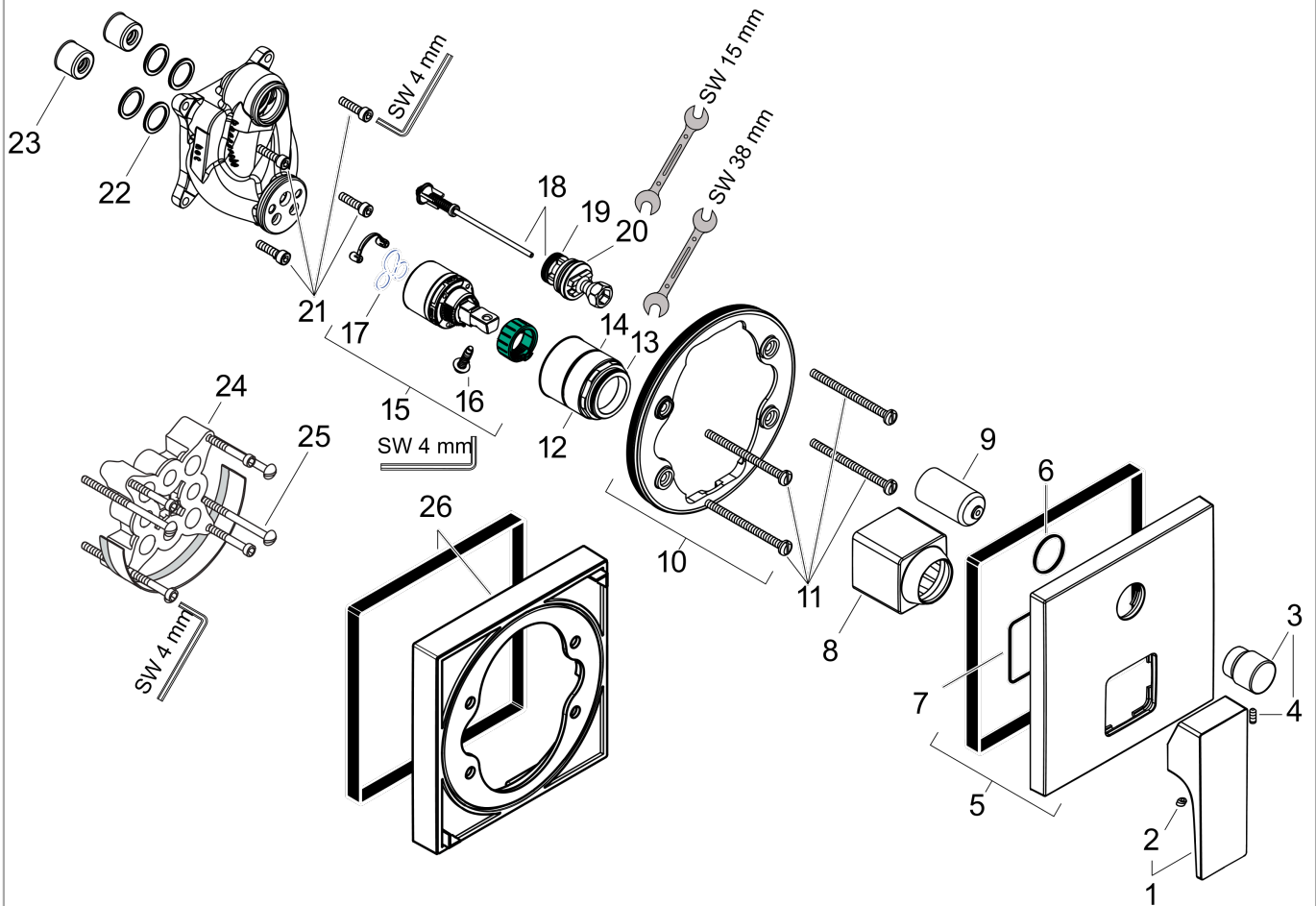


**Metropol**  
**Single lever bath mixer for concealed installation with lever handle**  
 Surfaces: **Chrome**    Article Number: **32545000**



**Exploded Drawing**

Year of production: >04/17



## Metropol

Single lever bath mixer for concealed installation with lever handle

Surfaces: **Chrome** Article Number: **32545000**



### Spare part list

Year of production: >04/17

Pos.	Description	Article Number	Price	PU
1	handle	93075000	-	1
2	screw cover	96338000	-	1
3	diverter knob	98795000	-	1
4	hollow set screw M4x10	97667000	-	1
5	escutcheon 155 / 155 mm	93144000	-	1
6	O-ring 23x3	98142000	-	1
7	O-ring 54x3	98436000	-	1
8	sleeve	93143000	-	1
9	sleeve	98794000	-	1
10	holder for escutcheon	98793000	-	1
11	set of fixing screws	96454000	-	1
12	nut	98796000	-	1
13	O-ring 30x1,5	98433000	-	1
14	O-ring 39x1,5	98400000	-	1
15	cartridge, assy	92730000	-	1
16	locking screw for handle	95140000	-	1
17	seal	95008000	-	1
18	selector assy	95014000	-	1
19	O-ring 16x2,3	98207000	-	1
20	O-ring 20x2,5	92602000	-	1
21	set of screws	96525000	-	1
22	O-ring 16x2	98133000	-	1
23	noise reduction	94073000	-	1
24	extension 25 mm	13595000	-	1
25	set of fixing screws	97747000	-	1
26	extension 22 mm	13593000	-	1
a	concealed item	01800180	-	1
b	adapter for exchanged connections	93181000	-	1
c	spring for exchanged connections	96365000	-	1