

Basic set for mixed water bidette

Finish: n.a. Article Number: 29235180



Description

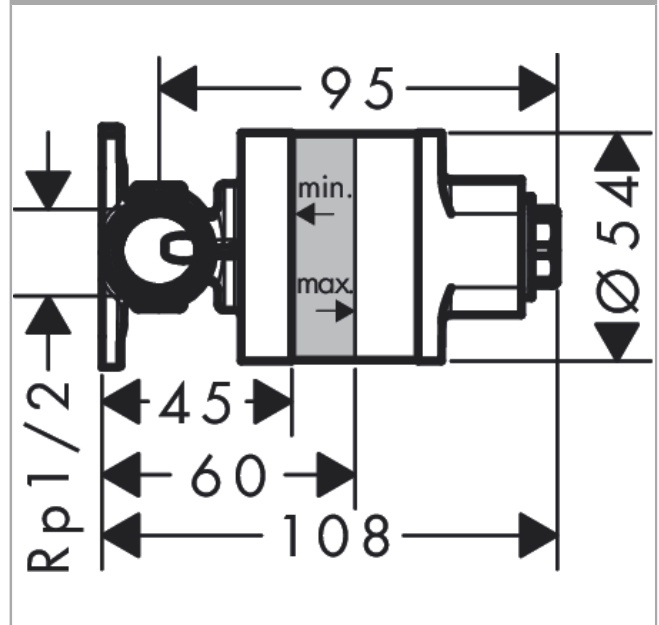
product features

- suitable for: all bidette hand showers for mixed water
- wall-mounted
- minimum mounting depth: 45 mm
- maximum mounting depth: 60 mm
- connection dimension: Rp 1/2
- hot and cold water connection necessary

Product image



Scale drawing

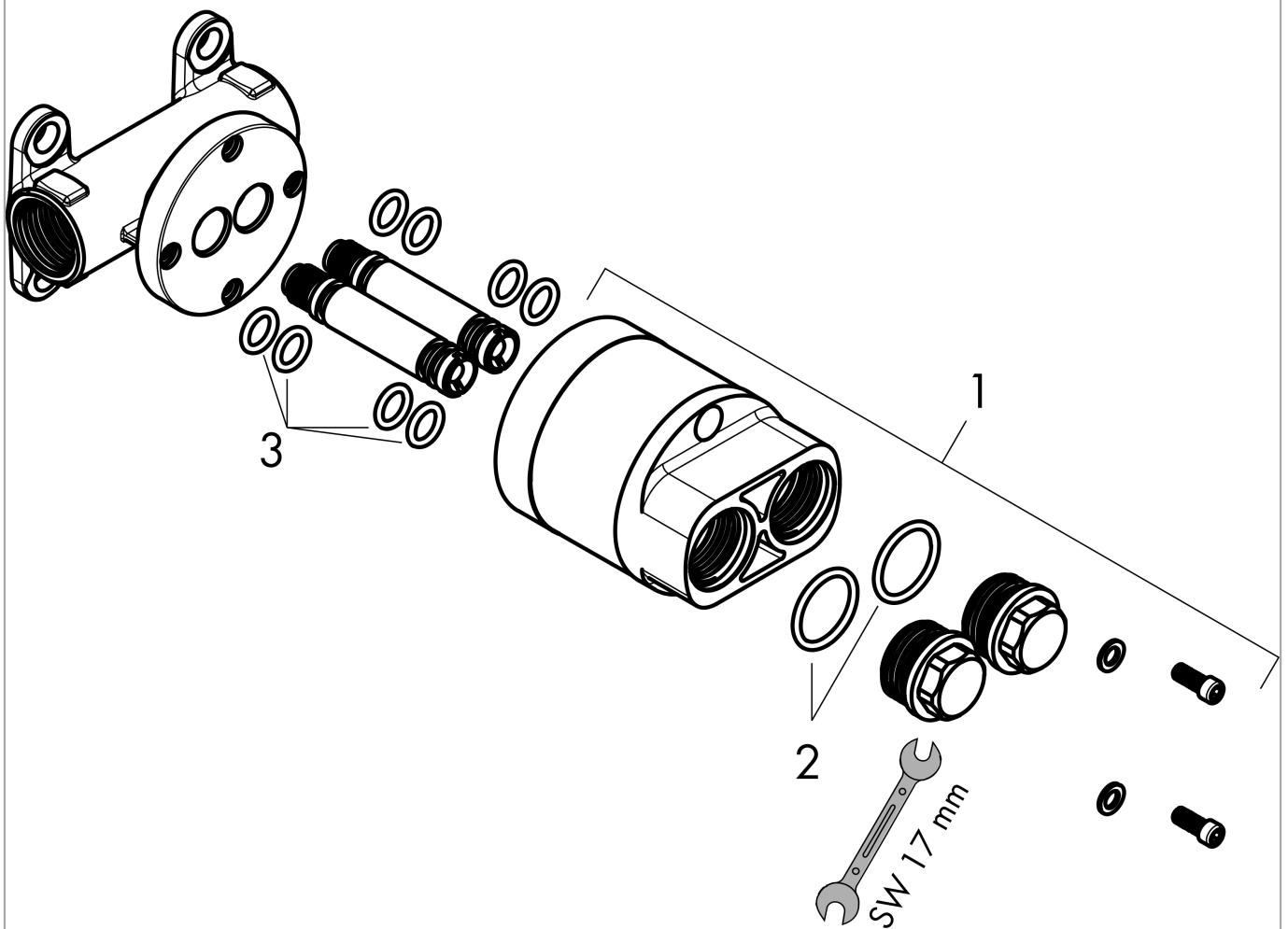


Basic set for mixed water bidette
 Finish: n.a. Article Number: 29235180



Exploded Drawing

Year of production: >10/22



Basic set for mixed water bidette

Finish: n.a. Article Number: **29235180**



Spare part list

Year of production: >10/22

Pos.	Description	Article Number	PC	PU
1	flushing unit complete	94573000	8	1
2	O-ring 18x2	98181000	2	1
3	O-ring 8x2	98112000	1	1