

Raindance Select E Hand shower 150 3jet

Surfaces: **Chrome** Article Number: **26550000**



Description

product features

- shower head size: 150 mm
- spray type: RainAir, CaresseAir, Mix
- convenient diversion via Select button
- hand shower with 2-shell construction
- maximum flow rate at 3 bar: 16,4 l/min
- Minimum flow pressure: 1 bar
- with internal water conduction
- rinseable dirt filter
- connection thread G 1/2
- connection dimension: DN15
- suitable for continuous flow water heaters
- hand shower can be used with sliders that are infinitely adjustable in the incline. The hand shower should not be used for sliders with two predefined positions.

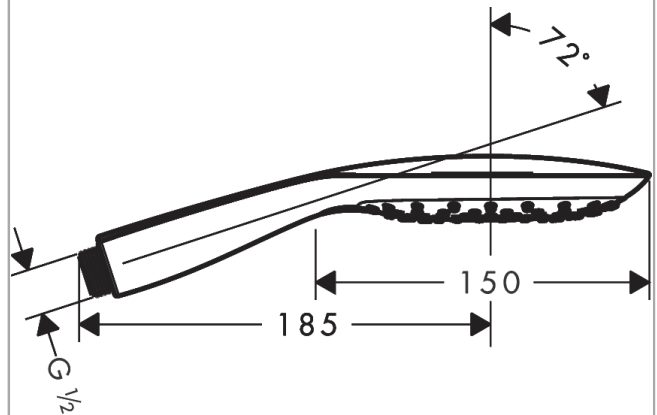
Technology



Product image



Scale drawing

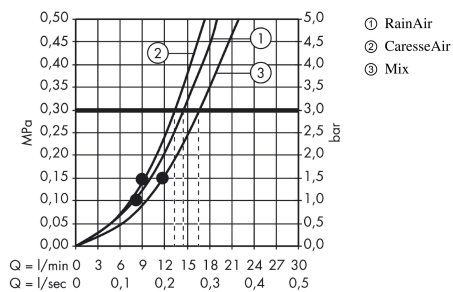


Raindance Select E Hand shower 150 3jet

Surfaces: **Chrome** Article Number: **26550000**



Flowchart



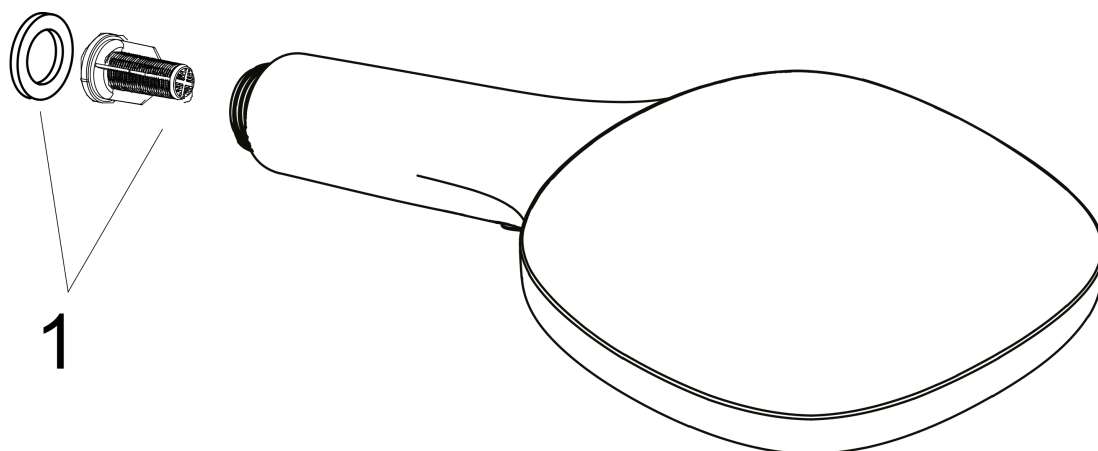
The consumption was measured in combination with the appropriate fittings (thermostat/mixer/ in-wall valve) to reflect actual application in practice.

Raindance Select E
Hand shower 150 3jet
 Surfaces: **Chrome** Article Number: **26550000**



Exploded Drawing

Year of production: >05/13



Raindance Select E
Hand shower 150 3jet
 Surfaces: **Chrome** Article Number: **26550000**



Spare part list

Year of production: >05/13

Pos.	Description	Article Number	Price	PU
1	filter insert	97708000	-	1