

Croma

Overhead shower 280 1jet

Surfaces: **Matt Black** Article Number: **26220670**



Description

product features

- shower head size: 280 mm
- spray type: RainAir
- ball-joint: overhead shower angle adjustable
- material spray disc: metal
- maximum flow rate at 3 bar: 15,6 l/min
- flow rate RainAir spray (at 3 bar): 15,6 l/min
- function from: 9,5 l/min
- minimum flow pressure: 1,5 bar
- spray disc removable for cleaning
- installation: ceiling or wall
- connection thread G ½
- connection dimension: DN15
- suitable for continuous flow water heaters

Technology



Design awards



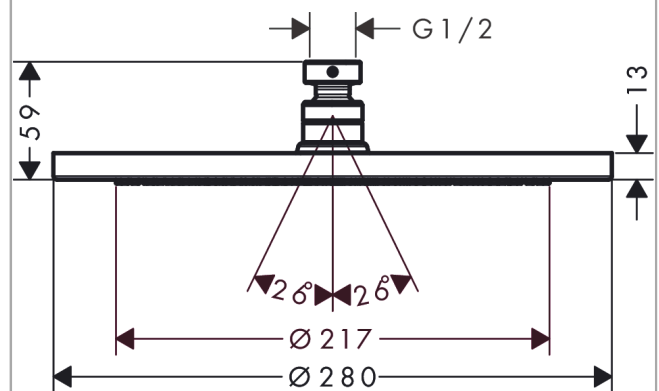
reddot award 2017
winner



Product image



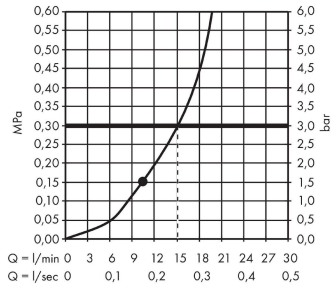
Scale drawing



Croma
Overhead shower 280 1jet
 Surfaces: **Matt Black** Article Number: **26220670**



Flowchart



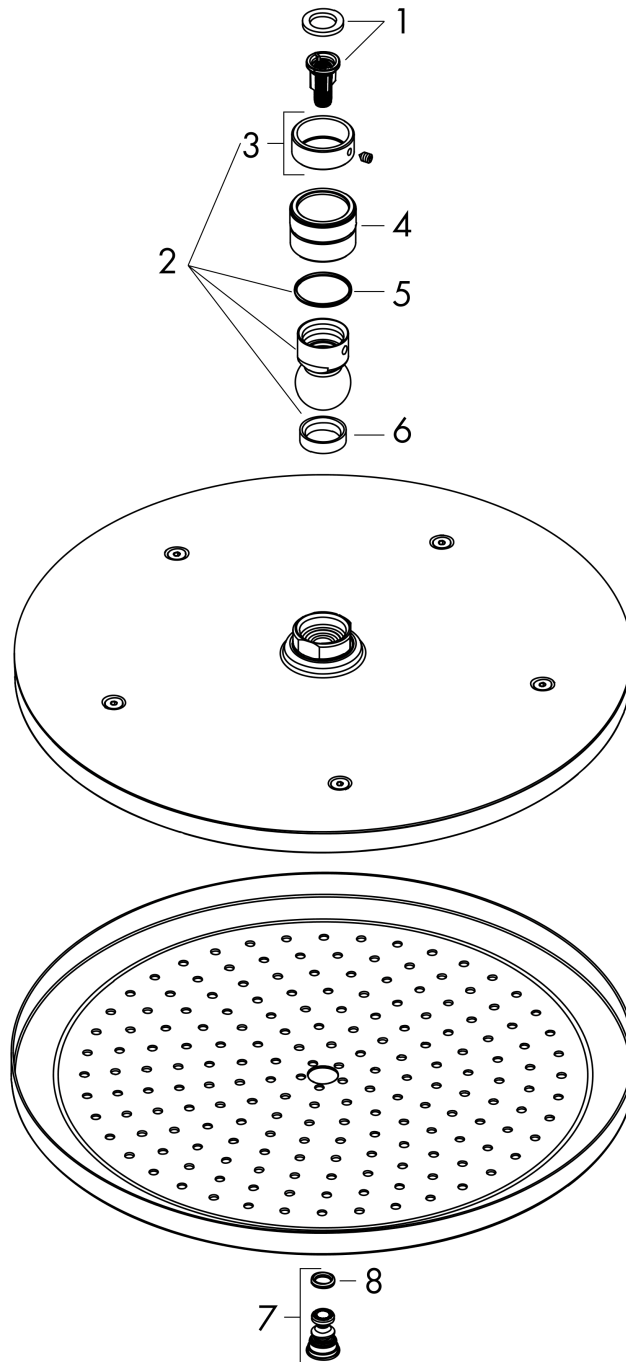
The consumption was measured in combination with the appropriate fittings (thermostat/mixer/in-wall valve) to reflect actual application in practice.

Croma
Overhead shower 280 1jet
Surfaces: **Matt Black** Article Number: **26220670**



Exploded Drawing

Year of production: >06/20



Croma
Overhead shower 280 1jet
 Surfaces: **Matt Black** Article Number: **26220670**



Spare part list

Year of production: >06/20

Pos.	Description	Article Number	Price	PU
1	filter insert	97708000	€ 5,24	1
2	ball joint	98941670	€ 53,91	1
3	lock washer	98942670	€ 27,49	1
4	nut	97958670	€ 7,85	1
5	lever collar	97536000	€ 5,24	1
6	seal	97606000	€ 5,24	1
7	air jet	95794670	€ 42,36	1
8	O-ring 7x2	98419000	€ 3,21	1